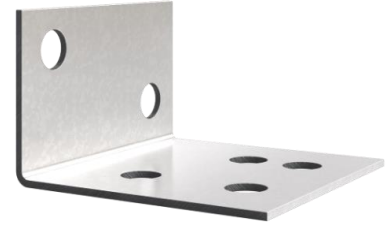


Item Code : 6294

HADLEY SHAFTCORE ANGLE BRACKET

Hadley Shaftcore Angle Bracket is used to create a cavity to friction fix the Coreboard layer of Plasterboard without the use of screw fixing.

Manufactured in accordance with EN 14195:2005

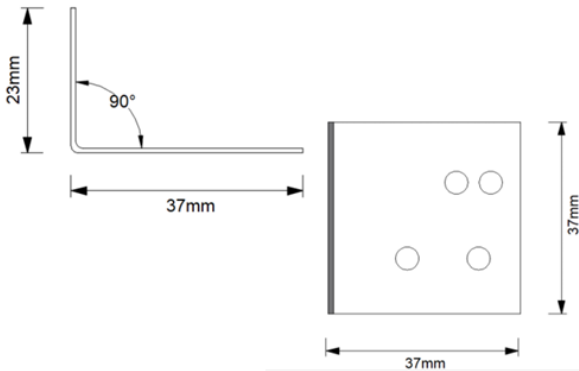


Scan QR code for Hadley System **Golden Thread Documents: Technical Datasheet, Material Safety Datasheet, Declaration of Performance (DoP), O&M Manual and more...**

Product Information

DRY-HAD-XX-ZZ-TE-X-137

Rev	Date	Comment	By	Chk	App
1.0	19/08/24	First Issue	FM	SH	JS
2.0	07/11/24	Second Issue	FM	SH	JS



Size	1.0mm
Pack Quantities	100

REACTION TO FIRE:
A1

SERVICE CUT OUTS:
N/A

SYSTEM PERFORMANCE INFORMATION:
To be installed as a part of a complete Hadley system to achieve both Fire and Acoustic performance. To understand more about our fully warranted and tested solutions, please contact our Hadley Construction Technology Team.

STORAGE & HANDLING:

When installing Hadley components please ensure full PPE is used and the site is practicing a safe working environment alongside industry standards.

DISPOSAL:

Hadley Metal is fully recyclable.

SYSTEMS USED:

HadleySHAFT – Shaftwall Systems